



INTUITIVE CONTROL SOFTWARE

The new control software with integrated, extensive maintenance menu makes the operation simple and comfortable.



The Qcut 250 A is a wet abrasive cut-off machine with fine dynamic and manual vertical wheel movement (chop cut) for samples up to \varnothing 95 mm and electromechanical lever brake.

The automatic X-axis allows a precise pulsed cut and oscillation cut while the spacious cutting chamber gives various clamping variations. The solid aluminum design comes with openings on the right and left hand side for cutting long parts.



HORIZONTAL MOVEMENT

The manual horizontal or automatic movement allows cutting long parts longitudinally and easy positioning of the sample below the cut-off wheel. In pulsed cutting mode the sample material is cut particularly gently.



FINE DYNAMIC CUT-OFF

With the manual cutting movement, the cutting force is regulated through a set of gears. The cut is thereby jerk-free and more precise. The easy-to-use lever brake fixes the cutting disc in any position.

INNOVATIVE DETAILS

The sliding front door and the side door with safety interlock allow easy and optimal access to the cutting chamber, which is optimal illuminated by a LED lamp. The Quick-Change-System makes change of the cutting wheel quick and easy and simplifies maintenance.

AUTOMATIC CROSS TRAVEL

The automatic Z-axis can be adjusted with 0.1 mm precision for parallel cuts.



BASIC MODULE

Qcut 250 A

- | manual Y-axis with electromechanical lever brake
- | 7" Touch-Screen user interface with intuitive QATM user software
- | automatic X-axis - manual travel via hand wheel
- | cutting-force dependent feed control (X-axis)
- | superior LED illumination of cutting chamber
- | parallel setting of wheel guard during cutting sequences increases cutting capacity
- | opening on both sides for long parts



Order No.: M1822000

EQUIPMENT

POWER SUPPLY

Equipment 1

400 V/50 Hz (3Ph/PE)

Order No.: A1822001

Equipment 2

480 V/60 Hz (3Ph/PE)

Order No.: A1822002

Equipment 3

220 V/60 Hz (3Ph/PE)

Order No.: A1822003

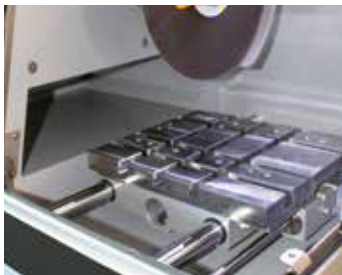


TABLE DRIVE

Equipment 1

X-axis automatic/manual (without Z-axis)

Order No.: A1822004

Equipment 2

X-axis automatic/manual and Z-axis (cross feed) automatic

Order No.: A1822005



OPTION

LASER ALIGNMENT AID

- | laser line to visualize the cutting line
- | laser class 1

Order No.: A1822006

ACCESSORIES
RECIRCULATION COOLING SYSTEM


- | 2-chamber-pvc-compartment 45 ltr.
- | inlet sieve and filter bag
- | mobile with insertion mechanism for System Lab cabinets



- | incl. connection set
- | controlled by cut-off machine
- | mobile

WxHxD 366 x 540 (640) x 610 mm

WxHxD 366 x 550 x 600 mm

400 V/50 Hz (3Ph/PE)

400 V/50 Hz (3Ph/PE)

Order No.: A5800484

Order No.: A5800487

480 V/60 Hz (3Ph/PE)

480 V/60 Hz (3Ph/PE)

Order No.: A5800485

Order No.: A5800488

220 V/60 Hz (3Ph/PE)

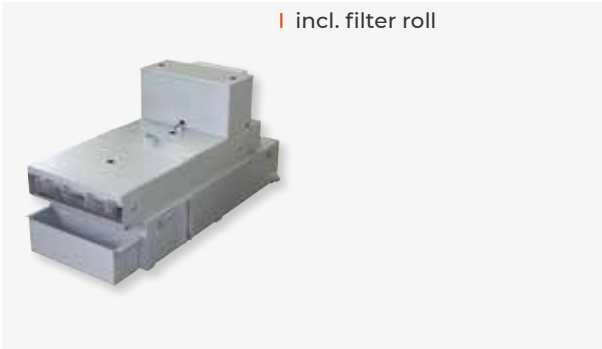
220 V/60 Hz (3Ph/PE)

Order No.: A5800486

Order No.: A5800489

BELT FILTER SYSTEM 130

- | incl. filter roll



Tank 130 ltr.

Filter capacity 30 ltr./min (referring emulsion)

Pump 15 ltr./min

WxHxD 607 x 632 x 1308 mm

Weight ~ 90 kg

400 V/50 Hz (3Ph/PE)

Order No.: A6501009

480 V/60 Hz (3Ph/PE)

Order No.: A6501011

220 V/60 Hz (3Ph/PE)

Order No.: A6501010

CENTRIFUGAL SEPARATOR

- | removes coolant mist
- | purifies the air and increases visibility
- | exhaust power 180 m³/h



400 V/50 Hz (3Ph/PE) or 480 V/60 Hz (3Ph/PE)

Order No.: A1822007

220 V/60 Hz (3Ph/PE)

Order No.: A1822008

BASIC SET QCUT 250 A

Order No.: Z1822001

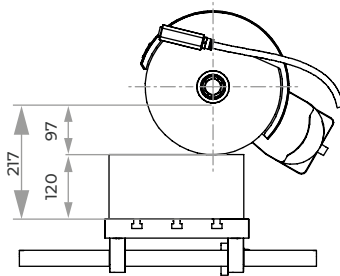
CONNECTION SET 230/250

- | connection tubing for belt filter system 130

Order No.: Z6501004



Clamping example



X-axis travel 225

SPECIFICATIONS

Max. theoretical cutting capacity	Ø 95 mm
Cut-off wheel	Ø 254 mm/10"
Arbour size	Ø 32 mm
Horizontal movement	225 mm
Vertical movement	170 mm
Cross feed	120 mm
Table WxD	
1	380 x 270 mm (without Z-axis)
2	300 x 270 mm (with Z-axis)
T-slot	12 mm
Speed	3015 rpm (50 Hz) 3100 rpm (60 Hz)
Motor cut-off wheel	3 kW, S1-mode
Connected load	5.5 kVA
Power supply	1 400 V/50 Hz (3Ph/N/PE) 2 480 V/60 Hz (3Ph/PE) 3 220 V/60 Hz (3Ph/PE)
WxHxD	~ 930 x 680 x 880 mm
Weight	~ 130 kg

