

EASY. SECURED. CLAMPED.

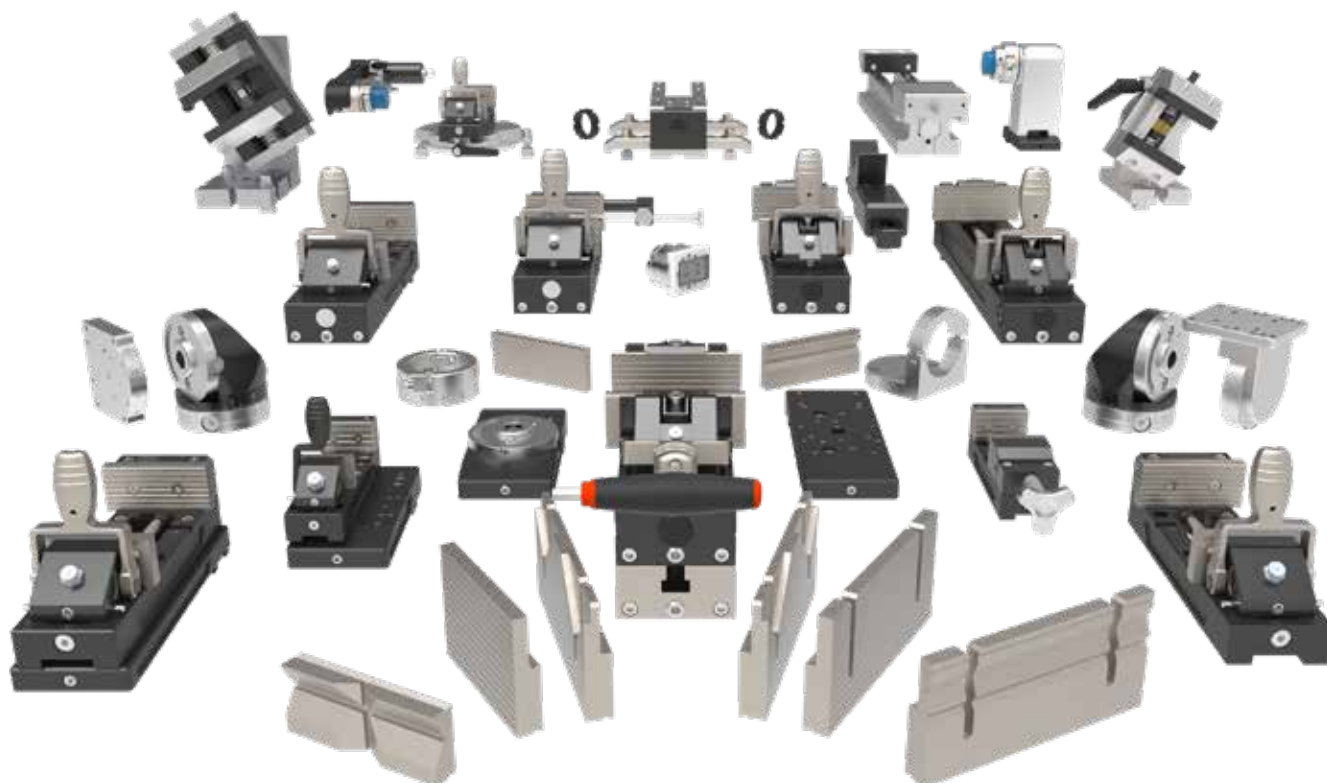
CLAMPING DEVICES

Fast, Powerful, Flexible

Our innovative clamping devices are used to clamp workpieces securely and precisely to ensure exact cutting and grinding processes. There is a wide range of different clamping devices that have been developed for specific applications and workpiece sizes. This brochure will give you a comprehensive insight into the world of clamping devices and help you find the optimum clamping device for your application.



Clamping Device Selection Guide	4-5	Clamping accessories for rotating, swiveling and special applications	38-46
Precision clamping devices	6-11	Swivel unit Qtool 60-80	38
Qtool Series	12-23	Angle vice 60	39
Qtool 40 Series	13-15	Angle vice 80	40
Qtool 60 Series	16-18	Cross clamp	41
Qtool 80 / Qtool 80 VARIO Series	19-23	Expansion clamping device	42
Power clamping systems for large cutting machines	24-28	Screw clamping system	42
Universal power clamping system 100/540	24-25	Vertical clamp	43
Universal power clamping system LC 90	26-28	Clamping system X-Clamp 3858	43
Easy adaptations, clamping device accessories	29-37	Easy Multifunctional Plate	44
Easy clamping plate S	30-31	Clamping rail	45-46
Easy clamping plate S with rotating function	32-33	Rotation devices	47-49
Easy clamping plate M	34-35	Rotation device type RD1	48
Accessories for Easy clamping plates	36-37	Rotation device type RD2	49
		Universal vices	50-52



Clamping Device Selection Guide

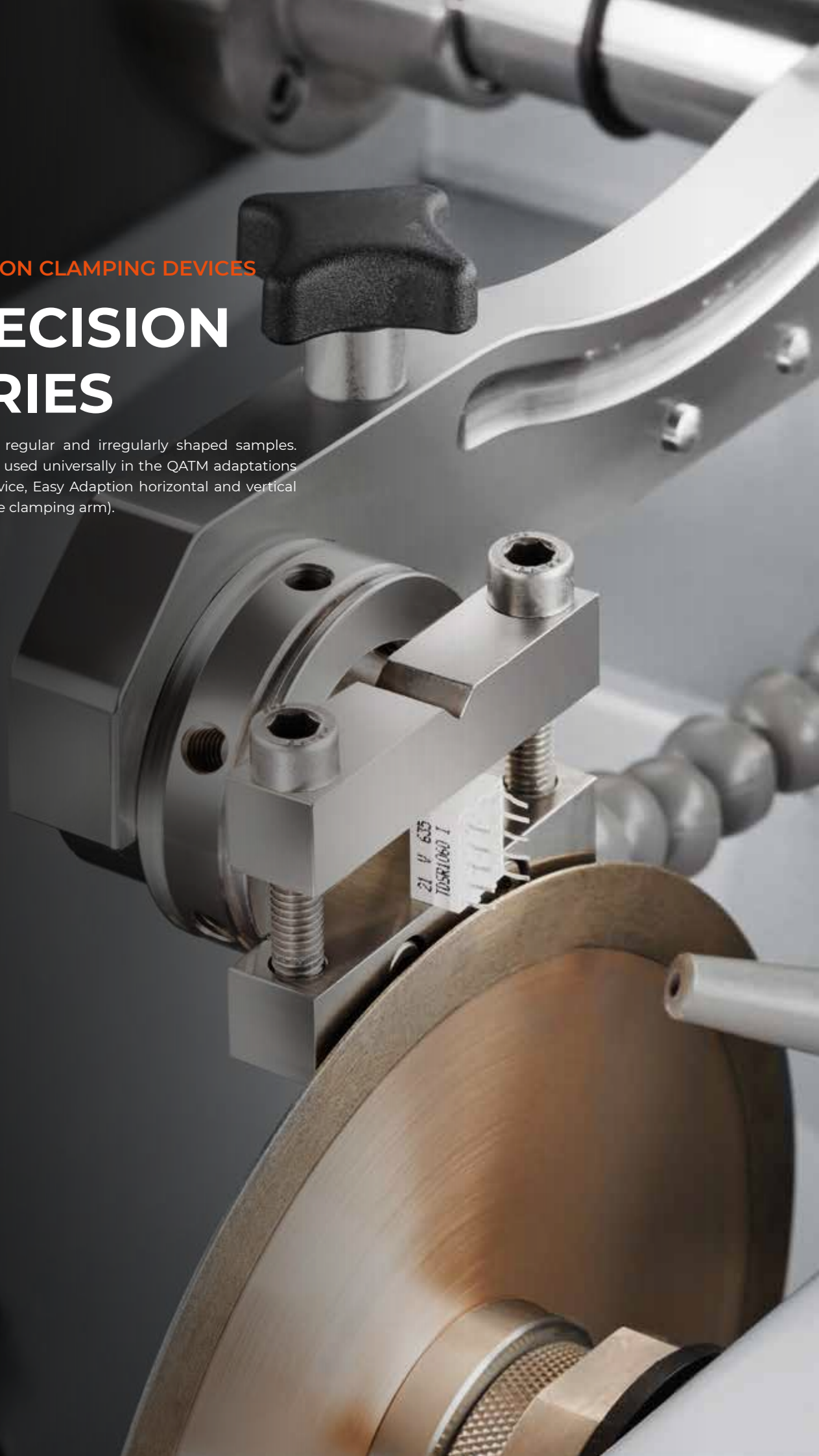
	Regularly shaped workpieces			
	Precision Series	Qtool 40 Series	Qtool 60 Series	Qtool 80 Series
Max. sample size	max. L = 40 mm / Ø 40 mm	max. L = 60 mm / Ø 40 mm	max. L = 100 mm / Ø 60 mm	max. L = 250 mm / Ø 80 mm
Qcut 150 M / Qcut 150 A				
Qcut 200 A				
Brillant 230				
Qcut 250 M / Qcut 250 A				
Qcut 350 A				
Qcut 400 A				
Qcut 500 A				
Qcut 600 A / Qcut 600 BOT				
CLAMPING FORCE				
Clamping Force	variable	ca. 1000 N	ca. 2000 N	ca. 4000 N
ACCESSORIES				
Easy Clamping system	Easy plate S	Easy plate S / M	Easy plate S / M	integrated
Accessories	Easy adaption horizontal / vertical	Selection of clamping jaws	Selection of clamping jaws / workpiece stop	Selection of clamping jaws / Easy multifunctional plate
ACCESSORIES FOR SWIVEL CLAMPING DEVICES (VERTICAL AXIS OF ROTATION)				
	Option: + Easy plate S with rotation function + Easy adaption horizontal	Option 1: + Easy plate S with rotation function + Easy adaption Qtool 40/60 Option 2: + Easy plate M + Multi-Tower turntable + Easy adaption Qtool 40/60	Option: + Swivel unit Qtool 60-80	
ACCESSORIES FOR SWIVEL CLAMPING DEVICES (HORIZONTAL AXIS OF ROTATION)				
	Option: + Easy plate S with rotation function + Easy adaption vertical	Option 1: + Easy plate S with rotation function + Multi-Tower (as often as needed) + Swivel unit Qtool 40-60 Option 2: + Easy plate M + Multi-Tower turntable + Multi-Tower (as often as needed) + Swivel unit Qtool 40-60	Alternative clamping device: - Angle vice 40 - Angle vice 80	

Regularly shaped workpieces		Irregularly shaped workpieces (Clamping on the table)	Rotation devices	
Universal power clamping system LC90	Universal power clamping system 100/540	Universal vice	Qcut 150 A / Type RD1	Qcut 200 A / Type RD2
				
max. L = 217 mm / Ø 100 mm	max. L = 365 mm / Ø 100 mm		Ø 40 mm	Ø 56 mm
CLAMPING FORCE		CLAMPING FORCE		
25 kN	28 kN	Piccolo, Universal, chain vice		
ACCESSORIES		ACCESSORIES		
-	-	-	-	-
Selection of clamping jaws / X-Clamp	Selection of clamping jaws / X-Clamp	Clamping rail, prisms / Height adapter etc.	Clamping vices / precision series / reduction ring / 3 jaw chuck	
-	-	Option: Manual turntable		
-Base 90°	-	-		

PRECISION CLAMPING DEVICES

PRECISION SERIES

Suitable for regular and irregularly shaped samples. They can be used universally in the QATM adaptations (rotating device, Easy Adaption horizontal and vertical as well as the clamping arm).



Precision clamping devices

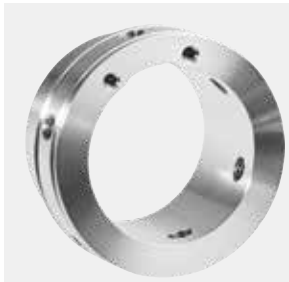
Can be installed directly on:

- | Easy adaption vertical
- | Easy adaption horizontal
- | Rotation device type RD1, RD2

Accessories

- | Easy clamping plate S with rotating device
- | Easy clamping plate S

SAMPLE HOLDER STANDARD (OPEN)



- | For round or irregular samples
- | 3-point tension
- | Up to 6 fixing screws
- | Open for long, large round samples up to Ø 40 mm
- | Adapter Ø 50 mm

Item No.: Z1870035

SAMPLE HOLDER STANDARD (CLOSED)



- | For round or irregular samples
- | 3-point tension
- | Up to 6 mounting screws
- | With fixed stop - depth 15 mm
- | For short, large round samples up to Ø 40 mm
- | Adapter Ø 50 mm

Item No.: Z1870037

SAMPLE HOLDER FLEX



- | For round or irregular samples
- | 3-point tension
- | Up to 6 fixing screws
- | For installation into grinding and polishing machines
- | For specimens up to Ø 40 mm - depth 21 mm
- | Adapter Ø 50 mm

Item No.: Z1870039

SAMPLE HOLDER PARALLEL CLAMPING VICE (OPEN)



- | Parallel clamping jaws
- | Variable span
- | For flat samples
- | For samples up to Ø 40 mm
- | Adapter Ø 50 mm

Item No.: Z1870043

SAMPLE HOLDER PARALLEL CLAMPING VICE (CLOSED)



- | Parallel clamping jaws
- | Variable span
- | For flat samples
- | With fixed stop, depth 27 mm
- | For samples up to \varnothing 40 mm
- | Adapter \varnothing 50 mm

Item No.: Z1870041

DROP SHAPE SAMPLE HOLDER



- | For round or irregular samples (\varnothing 13 - \varnothing 40 mm)
- | 12 mm clamping depth
- | 3-point tension
- | Adapter \varnothing 50 mm

Item No.: Z1870045

UNIVERSAL CLAMPING VICE



- | For samples of any sample geometry, rings, 3 point support
- | Max. sample cross-section: 40 mm x 40 mm
- | 3-point tension
- | Adapter \varnothing 50 mm

Item No.: Z1870047

MATRIX CLAMPING VICE



- | For irregularly shaped samples
- | Max. clamping range: 0 - 40 mm
- | Adapter \varnothing 50 mm

Item No.: Z1870049

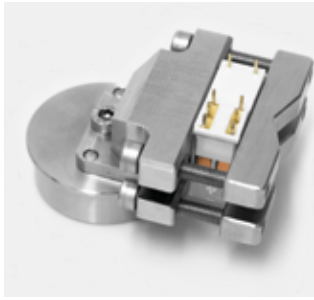
MINI VICE



- | Max. clamping range: 0 - 40 mm
- | Clamping range with prism jaw: 0 - 35 mm
- | Incl. prism jaw
- | Adapter \varnothing 50 mm

Item No.: Z1870054

DOUBLE PARALLEL VICE



- | Parallel clamping jaws
- | Fixing a sample at two clamping points
- | Components remain clamped even after cutting
- | For cutting wheel up to Ø 150 mm
- | Max. clamping range: 0 - 40 mm
- | Adapter Ø 50 mm

Item No.: Z1870056

ADAPTER WITH BALL JOINT



- | Swivel device for aligning the sample to the cutting wheel
- | Can be combined with all clamping devices
- | Swivel range $\pm 18^\circ$
- | Adapter Ø 50 mm

Item No.: Z1870058



VACUUM CLAMPING UNIT



- | For the preparation of plane-parallel sample surfaces
- | Suitable for clamping glass slides 28 mm x 48 mm
- | Stops can be recessed via an integrated handwheel for plan-parallel grinding of the ceramic stone.
- | A vacuum pump is required to generate the vacuum

For use on:

- | Qcut 150 A/M
(clamping arm L required - Item No.: Z1870031)
- | Qcut 200 A
(Easy adaption vertical required - Item No.: Z2236033)

Item No.: Z1870028

REDUCER RING

NEW



- | Reducer ring for direct clamping of mounted samples
- | Outer diameter Ø 50 mm
- | For mounted samples with Ø 25 mm, 30 mm, 40 mm, 1", 1 ¼", 1 ½"
- | Can be used in rotary device and Easy adaption vertically / horizontally

For use on:

- | Qcut 150 A/M
(clamping arm L required - Item No.: Z1870031)
- | Qcut 200 A
(Easy adaption vertical required - Item No.: Z2236033)

Item No.: Z1870064 (Reducer ring for Ø 25 mm)

Item No.: Z1870063 (Reducer ring for Ø 30 mm)

Item No.: Z1870071 (Reducer ring for Ø 40 mm)

Item No.: Z1870067 (Reducer ring for Ø 1")

Item No.: Z1870066 (Reducer ring for Ø 1 ¼")

Item No.: Z1870065 (Reducer ring for Ø 1 ½")

QUICK CLAMPING TOOLS

QTOOL SERIES

- | Fast, repeat-accurate clamping
- | Regularly shaped workpieces can be clamped very fast with the help of the quick clamping systems

High quality and robust

- | Specially coated components with extremely high surface hardness and improved corrosion protection
- | Best sliding properties
- | Minimal light reflection when working with the laser
- | Sophisticated concept: Clamping lever can be ergonomically extended
- | Optimum positioning of the component thanks to adjustable back stop

Comprehensive range of accessories

- | Extremely quick to mount via quick-release fastener on the Easy plates
- | Gas-nitrided clamping jaws for a long service life
- | Can be individually extended with additional jaws (with prisms, bevels, slotted jaws, etc.)



Qtool 40 Series



Qtool 40

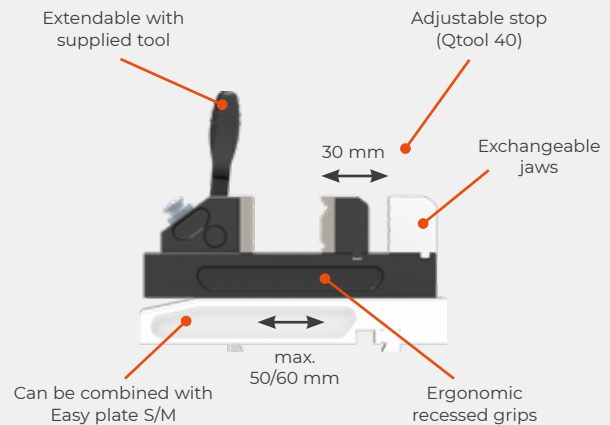


Qtool 40 S

	Item No.	Clamping range	Jaw width	Jaw height	Clamping force
Qtool 40	Z2270200	0 - 60 mm	50 mm	25 mm	ca. 1000 N
Qtool 40 S	Z2270201	0 - 50 mm	50 mm	25 mm	variable

Highlights

- For small components: Ø 40 mm | W = 60 mm
- Screw clamp (Qtool 40 S) with star handle to manually dose the clamping force
- Eccentric clamp (Qtool 40) for fast and powerful clamping
- Rear stop adjustable for optimal position during cutting
- Diverse clamping jaw program



Compatibility Qtool 40 Series



Compatible with cut-off machine	Qcut 200 A	Qcut 250 A	Qcut 250 M	Qcut 350 A	Brillant 230
Direct mounting via T-slot nut / Spacing	✓ 8 mm / 60 mm	-	-	-	-
via Easy plate	✓ S / M	✓ S / M	✓ S / M	✓ S / M	✓ S / M

Clamping jaws for Qtool 40 Series

With the wide range of clamping jaws, the Qtools can be individually customized to the components to be cut:

Round components

- Can be clamped precisely and securely using the prismatic jaws or the bevelled jaw
- The geometry of the jaws creates a defined 3-point contact between the workpiece and the clamping device
- This prevents the components from slipping
- Round components can also be clamped vertically using the cross prism and cutted above the clamping device

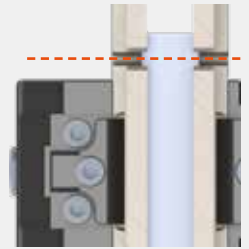


Large components

- The high jaws offer a larger clamping surface for geometrically large components

Clamping the cut-off side of the component

- The cut-off side of the component can also be clamped using the slotted jaws
- This greatly reduces burr formation during cutting and avoids subsequent grinding of the burr before embedding in a mounting press



CLAMPING JAW, STANDARD (WITH QTOOL INCLUDED)



- Standard jaws Qtool 40
- Jaw height: 25 mm
- Jaw width: 40 mm
- Universal jaw
- Scope of delivery: 1 jaw (spare jaw)

Item No.: 02270202

CLAMPING JAW, BEVELLED



- Jaw height: 25 mm
- Jaw width: 40 mm
- 5° bevelled clamping surface
- Clamping jaw for pressing down round material
- For round components up to Ø 50 mm
- Scope of delivery: 1 jaw (as counter jaw we recommend the clamping jaw standard (included in the scope of delivery Qtool))

Item No.: 02270212

CLAMPING JAW, HIGH



- Jaw height: 45 mm
- Jaw width: 50 mm
- Universal jaw for large components
- Scope of delivery: 2 jaws

Item No.: Z2270202

CLAMPING JAW, HIGH SLOTTED



- | Jaw height: 45 mm
- | Jaw width: 80 mm
- | Separated component remains clamped even after cutting
- | Scope of delivery: 2 jaws

Item No.: Z2270203

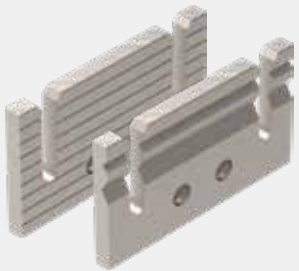
CLAMPING JAW, CROSS PRISM



- | Jaw height: 25 mm
- | Jaw width: 40 mm
- | Horizontal and vertical prism for clamping round components (3-point support)
- | Horizontal prism max. Ø 17 mm
- | Vertical prism max. Ø 17 mm
- | Scope of delivery: 1 jaw (as a counter jaw we recommend the clamping jaw standard (included in the scope of delivery Qtool))

Item No.: 02270213

CLAMPING JAW, HIGH, SLOTTED, WITH PRISM



- | Jaw height: 45 mm
- | Jaw width: 80 mm
- | Horizontal prism max. Ø 17 mm - for clamping round components (3 point support)
- | Sample remains clamped even after cutting
- | Scope of delivery: 2 jaws (1 slotted jaw high standard, 1 slotted jaw with prism)

Item No.: Z2270204

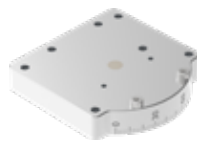
ACCESSORIES



Easy clamping plate S



Easy clamping plate S
with rotation function



Easy adaption
Qtool 40-60



Multi-Tower



Swivel unit
Qtool 40-60

Notes

Qtool 60 Series

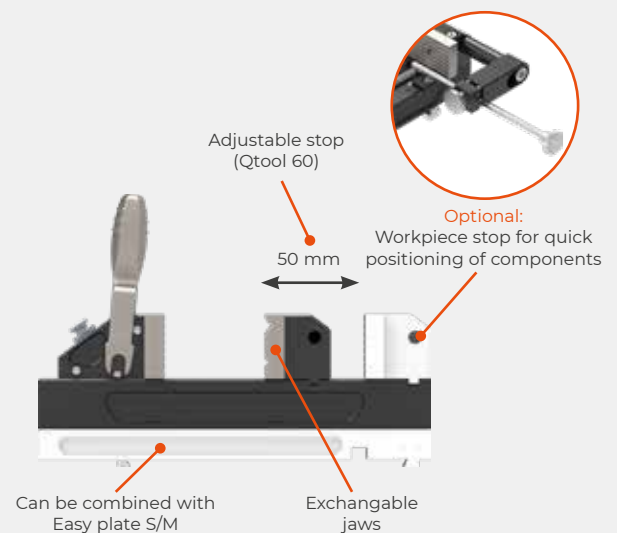


Qtool 60

	Item No.	Clamping range	Jaw width	Jaw height	Clamping force
Qtool 60	Z2235200	0 - 100 mm	70 mm	32 mm	ca. 2000 N

Highlights

- I For medium-sized components \varnothing 60 mm | W = 100mm
- I Eccentric clamp for fast and powerful clamping
- I Adjustable rear stop (50mm) for optimal position during cutting
- I Diverse jaw program
- I Optionally expandable with cross stop



Compatibility Qtool 60 Series



Compatible with cut-off machine	Qcut 200 A	Qcut 250 A	Qcut 250 M	Qcut 350 A	Brillant 230
Direct mounting via T-slot nut / Spacing	✓ 8 mm / 60 mm	✓ 12 mm / 75 mm	–	✓ 12 mm / 75 mm	✓ 12 mm / 75 mm
via Easy plate	✓ S / M	✓ S / M	✓ M	✓ S / M	✓ S / M

Clamping jaws for Qtool 60 Series

With the wide range of clamping jaws, the Qtools can be individually customized to the components to be cut:

Round components

- | Can be clamped precisely and securely using the prismatic jaws or the bevelled jaw
- | The geometry of the jaws creates a defined 3-point contact between the workpiece and the clamping device
- | This prevents the components from slipping
- | Round components can also be clamped vertically using the cross prism and cutted above the clamping device

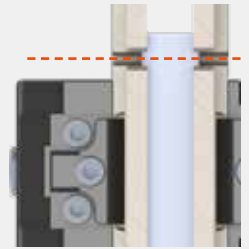


Large components

- | The high jaws offer a larger clamping surface for geometrically large components

Clamping the cut-off side of the component

- | The cut-off side of the component can also be clamped using the slotted jaws.
- | This greatly reduces burr formation during cutting and avoids subsequent grinding of the burr before embedding in a mounting press



CLAMPING JAW, STANDARD (WITH QTOOL INCLUDED)



- | Standard jaws
- | Jaw height: 32 mm
- | Jaw width: 70 mm
- | Scope of delivery: 1 jaw (spare jaw)

Item No.: 02235202

CLAMPING JAW, BEVELLED



- | Jaw height: 32 mm
- | Jaw width: 70 mm
- | 5° bevelled clamping surface
- | Clamping jaw for pressing down round material
- | For round components up to \varnothing 60 mm
- | Scope of delivery: 1 jaw (as counter jaw we recommend the clamping jaw standard (included in the scope of delivery Qtool))

Item No.: 02235212

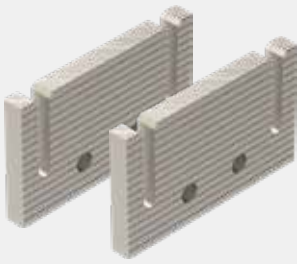
CLAMPING JAW, HIGH



- | Jaw height: 60 mm
- | Jaw width: 70 mm
- | For large components
- | Scope of delivery: 2 jaws

Item No.: Z2235201

CLAMPING JAW, HIGH SLOTTED



- | Jaw height: 60 mm
- | Jaw width: 100 mm
- | Sample remains clamped even after cutting
- | Scope of delivery: 2 jaws

Item No.: Z2235202

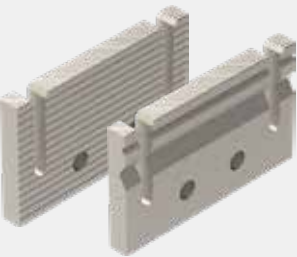
CLAMPING JAW, CROSS PRISM



- | Jaw height: 32 mm
- | Jaw width: 70 mm
- | Horizontal and vertical prism for clamping round components (3-point support)
- | Horizontal prism max. \varnothing 18 mm
- | Vertical prism max. \varnothing 32 mm
- | Scope of delivery: 1 jaw (as a counter jaw we recommend the clamping jaw standard (included in the scope of delivery Qtool))

Item No.: 02235213

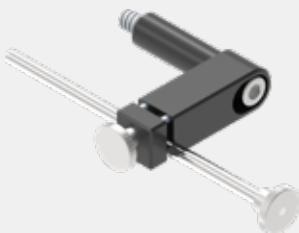
CLAMPING JAW, HIGH, SLOTTED, WITH PRISM



- | Jaw height: 60 mm
- | Jaw width: 100 mm
- | Horizontal prism max. \varnothing 17 mm - for clamping round components (3 point support)
- | Sample remains clamped even after cutting
- | Scope of delivery: 2 jaws (1 slotted jaw smooth, 1 slotted jaw with prism)

Item No.: Z2235203

WORKPIECE STOP



For repetitive cuts of components with the same geometry, the component can be reproducibly positioned in the same way using the workpiece stop.

- | Jaw mountable on Qtool 60, 80, 80 VARIO left or right
- | Stop range up to 120 mm

Item No.: Z2231210

ACCESSORIES



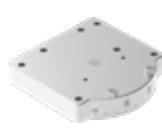
Easy clamping
plate S



Easy clamping
plate S with
rotation function



Easy clamping
plate M



Easy adaption
Qtool 40-60



Multi-Tower



Swivel unit
Qtool 40-60



Swivel unit
Qtool 60-80

Qtool 80 / Qtool 80 VARIO Series


Qtool 80 - 100
Qtool 80 - 150

	Item No.	Clamping area	Jaw width	Jaw height	Clamping force
Qtool 80 - 100	Z2231203	0 - 100 mm	100 mm	40 mm	ca. 4000 N
Qtool 80 - 150	Z2231204	0 - 150 mm	100 mm	40 mm	ca. 4000 N


Qtool 80 VARIO - 100
Qtool 80 VARIO - 150
Qtool 80 VARIO - 250

	Item No.	Clamping area	Jaw width	Jaw height	Clamping force
Qtool 80 VARIO - 100	Z2231200	0 - 100 mm	100 mm	40 mm	ca. 4000 N / 2500 N
Qtool 80 VARIO - 150	Z2231201	0 - 150 mm	100 mm	40 mm	ca. 4000 N / 2500 N
Qtool 80 VARIO - 250	Z2231202	0 - 250 mm	100 mm	40 mm	ca. 4000 N / 2500 N

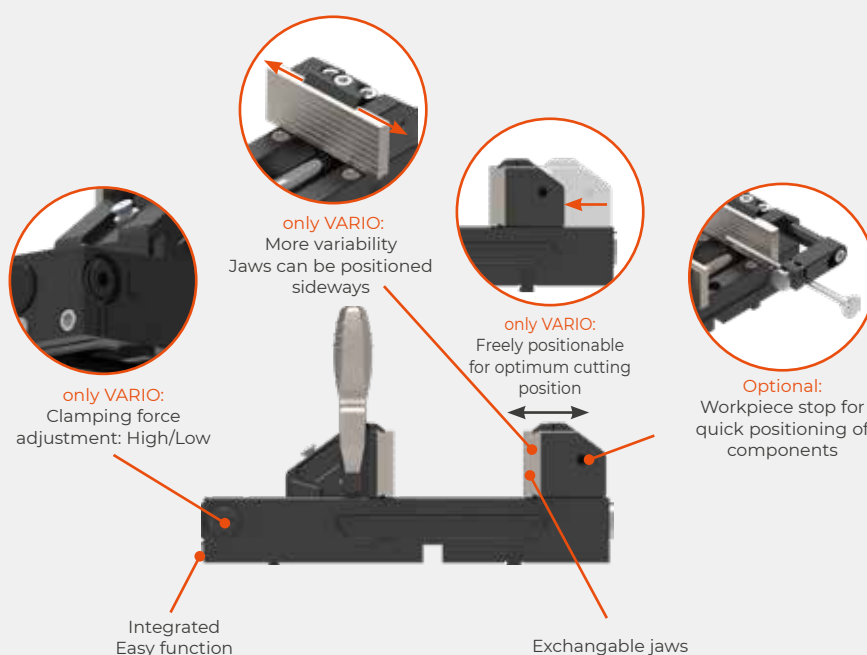
Qtool 80 / Qtool 80 VARIO Series

Highlights

- | For large components Ø 80 mm | W=100 mm
- | Integrated easy function for quick attachment to the table (T-slot nuts also possible)
- | Eccentric clamp for fast and powerful clamping
- | Adjustable rear stop (50 / 100 mm for Qtool 80 - 150)
- | Diverse clamping jaw program
- | Optionally expandable with cross stop

Special Highlights of Qtool 80 VARIO

- | Rear stop can be variably moved freely
- | Jaws can be freely moved laterally
- | Clamping force adjustment High and Low (ca. 4 / 2.5 kN)



Compatibility Qtool 80 / Qtool 80 VARIO Series



Compatible with cut-off machine	Qcut 250 A	Qcut 250 M	Qcut 350 A	Brilliant 230
via Easysystem	✓	✓	✓	✓



Compatible with cut-off machine	Qcut 400 A	Qcut 500 A	Qcut 600 A/BOT	Qcut 800 A
via Easysystem	✓	✓	✓	✓

Clamping jaws for Qtool 80 / Qtool 80 VARIO Series

With the wide range of clamping jaws, the Qtools can be individually customized to the components to be cut:

Round components

- | Can be clamped precisely and securely using the prismatic jaws or the bevelled jaw
- | The geometry of the jaws creates a defined 3-point contact between the workpiece and the clamping device
- | This prevents the components from slipping
- | Round components can also be clamped vertically using the cross prism and cut above the clamping device

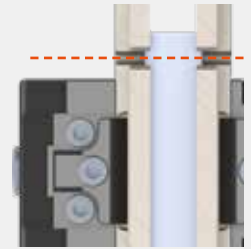


Large components

- | The high jaws offer a larger clamping surface for geometrically large components

Clamping the cut-off side of the component


- | The cut-off side of the component can also be clamped using the slotted jaws.
- | This greatly reduces burr formation during cutting and avoids subsequent grinding of the burr before embedding in a mounting press



Longitudinal sections of cylindrical components

- | The special round bar jaws are designed to cut cylindrical components precisely lengthwise


CLAMPING JAW, STANDARD (WITH QTOOL INCLUDED)



- | Standard jaws
- | Jaw height: 40 mm
- | Jaw width: 90 mm (Qtool 80) / 100 mm (Qtool 80 VARIO)
- | Universal jaw
- | Scope of delivery: 1 jaw (spare jaw)

Item No.: 02231243 (for Qtool 80)
Item No.: 02231200 (for Qtool 80 VARIO)

CLAMPING JAW, BEVELLED



- | Jaw height: 40 mm
- | Jaw width: 90 mm (Qtool 80) / 100 mm (Qtool 80 VARIO)
- | 5° bevelled clamping surface
- | Clamping jaw for pressing down round material
- | For round components up to \varnothing 80 mm
- | Scope of delivery: 1 jaw (as counter jaw we recommend the clamping jaw standard (included in the scope of delivery Qtool))

Item No.: 02231245 (for Qtool 80)
Item No.: 02231229 (for Qtool 80 VARIO)

CLAMPING JAW, HIGH

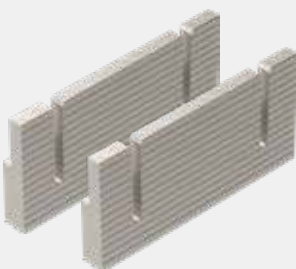


- I Jaw height: 70 mm
- I Jaw width: 90 mm (Qtool 80) / 100 mm (Qtool 80 VARIO)
- I For large components
- I Scope of delivery: 2 jaws

Item No.: Z2231215 (for Qtool 80)

Item No.: Z2231211 (for Qtool 80 VARIO)

CLAMPING JAW, HIGH SLOTTED



- I Jaw height: 70 mm
- I Jaw width: 150 mm
- I Separated component remains clamped even after cutting
- I Scope of delivery: 2 jaws

Item No.: Z2231216 (for Qtool 80)

Item No.: Z2231214 (for Qtool 80 VARIO)

CLAMPING JAW, CROSS PRISM



- I Jaw height: 40 mm
- I Jaw width: 90 mm (Qtool 80) / 100 mm (Qtool 80 VARIO)
- I Horizontal and vertical prism for clamping round components (3-point support)
- I Horizontal prism max. \varnothing 55 mm
- I Vertical prism max. \varnothing 55 mm
- I Scope of delivery: 1 jaw (as a counter jaw we recommend the clamping jaw standard (included in the scope of delivery Qtool))

Item No.: 02231246 (for Qtool 80)

Item No.: 02231230 (for Qtool 80 VARIO)

CLAMPING JAW, PRISM

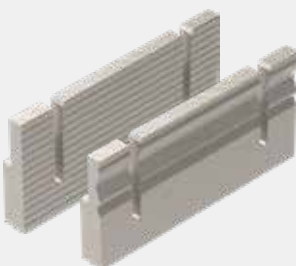


- I Jaw height: 40 mm
- I Jaw width: 100 mm
- I 2 horizontal prisms for clamping round components (3-point support)
- I Horizontal prisms, \varnothing 5 - 28 mm
- I Scope of delivery: 1 jaw (as a counter jaw we recommend the clamping jaw standard (included in the scope of delivery Qtool))

Item No.: - (for Qtool 80)

Item No.: 02231213 (for Qtool 80 VARIO)

CLAMPING JAW, HIGH, SLOTTED PRISM



- I Jaw height: 70 mm
- I Jaw width: 150 mm
- I Horizontal prism max. \varnothing 70 mm - for clamping round components (3 point support)
- I Separated component remains clamped even after cutting
- I Scope of delivery: 2 jaws (1 slotted jaw standard high, 1 slotted jaw with prism)

Item No.: Z2231217 (for Qtool 80)

Item No.: Z2231213 (for Qtool 80 VARIO)

Universal power clamping system 100/540

POWER CLAMPING SYSTEMS
FOR LARGE CUTTING MACHINES



100/540

	Item No.	Clamping area	Jaw width	Jaw height	Clamping force
Universal power clamping system 100/540	Z2234016	0 - 365 mm	100 mm	30 mm	28 kN

Highlights

- I Integrated mechanical-hydraulic power transmission
- I Incl. fastening material for T-slots 12 mm
- I Max. clamping force 25 kN
- I W x H x D: 100 x 104 x 625 mm

Compatibility Universal power clamping system 100/540

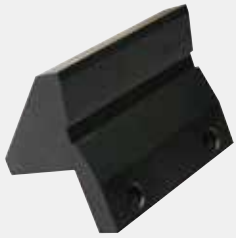


Compatible with cut-off machine	Qcut 400 A	Qcut 500 A	Qcut 600 A/BOT	Qcut 800 A
Direct mounting via T-slot nut	✓	✓	✓	✓

Accessories for clamping system 100/540

With the accessories, the power clamp can be individually modified to suit the components to be cut and the clamping situation.

PRISM CLAMPING JAW



- | Horizontal prism
- | Can be combined with flat clamping jaw
- | Jaw width: 100 mm
- | Prism for Ø 10 - 100 mm

Item No.: Z2234018

CLAMPING JAW FLAT



- | Jaw height: 80 mm
- | Jaw width: 100 mm
- | Ribbed clamping surface
- | For clamping parallel bodies
- | Can be combined with prism clamping jaw

Item No.: Z2234017

ANGULAR DRIVE



- | Possibility to clamp the component comfortably from above

Item No.: Z2234019

Notes

Universal power clamping system LC 90



LC 90

	Item No.	Clamping area	Jaw width	Jaw height	Clamping force
Universal power clamping system LC 90	Z2234001	0 - 217 mm	100 mm	70 mm	25 kN

Highlights

- I Simple and safe clamping of a wide variety of workpieces
- I A wide variety of easy-to-change clamping jaws
- I Low effort due to mechanical force transmission
- I Clamping force pre-adjustable in 11 steps (up to 28 kN)
- I incl. fastening material for T-slots 12 mm and hand crank

Compatibility Universal power clamping system LC 90



Compatible with cut-off machine	Qcut 400 A	Qcut 500 A	Qcut 600 A/BOT	Qcut 800 A
Direct mounting via T-slot nut	✓	✓	✓	✓

Accessories for clamping system LC 90

The LC 90 power clamp builds the basis of the clamping system. Depending on the application, it is supplemented with one of the following modules. It can be used to powerfully and securely clamp a wide range of irregularly shaped components.

CARRIER JAWS LC 90



- | Carrier module for clamping jaws
- | Base for prism jaw and V-groove jaw 100
- | Made of high-strength aluminium with ceramic coating
- | Jaw width: 100 mm

Item No.: Z2234003

V-GROOVE JAW 100



- | Jaw height: 70 mm
- | Jaw width: 100 mm
- | 1 pc., can be combined with clamping jaw flat
- | Rotatable jaw made of hardened steel
- | Surface with two horizontal prisms for clamping round material from \varnothing 10 to 100 mm

Item No.: Z2234004

CLAMPING JAW FLAT



- | Smooth clamping surface
- | For clamping parallel bodies
- | 1 pc., can be combined with V-groove jaw 100

Item No.: Z2234005

QUICK-CHANGE ADAPTER



- | Fast and secure connection of the individual modules by means of pull-down pins
- | For fastening
 - Step jaw 100
 - Clamping system X-Clamp 100
 - Customer-specific solutions

Item No.: Z2234009

STEP JAW 100



- | Jaw height: 65 mm
- | Jaw width: 100 mm
- | Clamping of parallel workpiece surfaces
- | Clamping force generation via basic module LC 90
- | Step jaw can be rotated 180°
- | Use only with quick-change adapter

Item No.: Z2234008

CLAMPING SYSTEM X-CLAMP 100



- | Individual and safe clamping of a wide variety of specimens and free-form parts by means of individually spring-loaded rams made of stainless steel
- | Perfect fit with minimum clamping force
- | Minimal time expenditure
- | Use only with quick-change adapter
- | incl. torque wrench and fastening screws

Item No.: Z2234002



SOCKET 90°



- | For assembly of the basic module LC 90 in lateral position 90°
- | For T-slots DIN 650 12 mm

Item No.: Z2234006

SUPPORT ELEMENT



- | Jaw height: 70 mm
- | Jaw width: 100 mm
- | 1 piece for supporting long components
- | Reduction of vibrations
- | Spring-loaded rams attach themselves to the workpiece
- | Additional fixation of the component from above with universal clamp possible
- | Fast and safe connection of the individual modules by means of pull-down pins

Item No.: Z1350023

SPECIAL CLAMPING JAWS



- | QATM Service: Send us your component drawing as DXF or DWG file or photos of your component. We plan your optimal clamping device



Easy adaptations, clamping device accessories



**Easy clamping
plate S**

**Easy clamping
plate S
with rotating function**



**Easy clamping
plate M**

Highlights

- | Unique quick-change easy system to quickly change and position QATM clamping systems
- | Time-consuming threading via slot nuts is no longer necessary
- | Easy function is integrated into the clamping device of the Qtool 80 series
- | Other series combined with the Easy clamping plates.
- | Easy clamping plates allow for numerous combinations of clamping elements

Compatibility chart



Compatible with cut-off machine	Qcut 200 A	Qcut 250 A	Qcut 250 M	Qcut 350 A	Brillant 230
Easy clamping plate S	✓	✓	–	✓	–
Easy clamping plate S with rotating function	✓	✓	–	✓	–
Easy clamping plate M	✓	✓	✓	✓	✓

Easy clamping plate S



Easy clamping plate S

	Item No.	Dimensions (W x H x D)
Easy clamping plate S	Z2236030	20 mm x 70 mm x 136 mm

MATCHING MODULES

- | Qtool 40, Qtool 40 S
- | Qtool 60
- | Mold clamp X-Clamp 3858
- | Easy Adaption Horizontal
- | Easy Adaption Vertical
- | Multi-Tower Turntable
- | QATM Precision Clamping Devices (via Adaption)

Compatibility easy clamping plate S



Compatible with cut-off machine	Qcut 200 A	Qcut 250 A	Qcut 250 M	Qcut 350 A	Brillant 230
Easy clamping plate S	✓	✓	–	✓	–

Easy clamping plate S with rotating function



Easy clamping plate S with rotating function

	Item No.	Dimensions (W x H x D)
Easy clamping plate S with rotating function	Z2236031	20 mm x 70 mm x 136 mm

MATCHING MODULES

- | Easy Adaption Vertical
- | Easy Adaption Horizontal
- | Easy Adaption Qtool 40-60
- | Z2236039 Multi-Tower
- | QATM Precision Clamping Devices (via adaption)
- | Z2236040 Swivel unit Qtool 40-60 (via Multi-Tower)
- | Qtool 40 / 60 (via Adaption / Swivel unit)

Compatibility easy clamping plate S



Compatible with cut-off machine	Qcut 200 A	Qcut 250 A	Qcut 250 M	Qcut 350 A	Brillant 230
Easy clamping plate S with rotating function	✓	✓	–	✓	–

Easy clamping plate M



Easy clamping plate M

	Item No.	Dimensions (W x H x D)
Easy clamping plate M	Z2236035	15 mm x 70 mm x 196 mm

MATCHING MODULES

- | Qtool 40, Qtool 40 S (e.g. 2 next to each other)
- | Qtool 60
- | Mold clamp X-Clamp 3858
- | Easy Adaption Horizontal
- | Easy Adaption Vertical
- | Multi-Tower Turntable
- | QATM Precision Clamping Devices (via Adaption)
- | Multi-Tower (via Multi-Tower Turntable)
- | Easy Adaption Qtool 40-60 (via Multi-Tower Turntable)
- | Qtool 40 / 60 (via Adaption / Swivel unit)

Compatibility easy clamping plate M



Compatible with cut-off machine	Qcut 200 A	Qcut 250 A	Qcut 250 M	Qcut 350 A	Brillant 230
Easy clamping plate M	✓	✓	✓	✓	✓

Compatible accessories



Precision Series

See:
Easy clamping plate S
with rotating function



Qtool 40 / 40 S / 60



Easy adaption
vertical



Easy adaption
horizontal



Multi-Tower
turntable



X-clamp
3858



Easy clamping plate M

Notes

Accessories for Easy clamping plates

Adaptations for precision clamping devices / for direct clamping of mounted samples

EASY ADAPTION HORIZONTAL



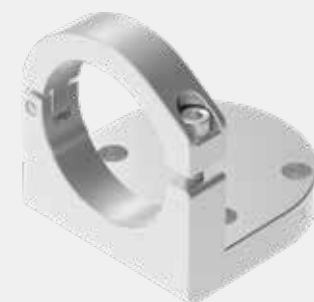
- | Direct clamping of mounted samples (with reduction ring)
- | Holder for precision clamping devices
- | Horizontal mount for quick clamping of various small clamping devices with adapter Ø 50 mm
- | Dimensions: Ø 69 mm x 28 mm (W x H x D)

Item No.: Z2236032

MATCHING MODULES

- | Easy Clamping Plate S, S with rotating function, Plate M
- | QATM precision clamping devices (e.g. matrix clamps, etc.)
- | Reduction ring

EASY ADAPTION VERTICAL



- | Direct clamping of mounted samples (with reduction ring)
- | Holder for precision clamping devices
- | Vertical mount for quick clamping of various small clamping devices with adapter Ø 50 mm
- | Dimensions: 74 mm x 69 mm x 74.5 mm (W x H x D)

Item No.: Z2236033

MATCHING MODULES

- | Easy Clamping Plate S, S with rotating function, Plate M
- | QATM precision clamping devices (e.g. matrix clamps, etc.)
- | Reduction rings

EASY ADAPTION QTOOL 40-60

NEW



- | Adapter for Qtool 40 and Qtool 60
- | Stops for aligning the Qtool 40
- | Dimensions: Ø 69 mm x 28 mm (W x H x D)
- | Quick clamping holder for quick fastening, e.g. on Easy-Clamping Plate S with rotating unit (Z2236031)

Item No.: Z2236034

MATCHING MODULES

- | Qtool 40 / S, Qtool 60
- | Easy Clamping Plate S with rotating function

Accessories for rotating and swiveling clamping devices

MULTI-TOWER TURNTABLE

NEW



- | Dimensions: Ø 70 mm x 17 mm (W x H)
- | Quick clamping holder for quick change and release of the head joints
- | Angular scale $\frac{1}{2}^\circ$; Angle grid 15°

Item No.: Z2236038

MATCHING MODULES

- | Multi-Tower
- | Easy clamping plate M
- | Qtool 40 / 60 (via Multi-Tower)
- | Swivel unit Qtool 40-60 (via Multi-Tower)

MULTI-TOWER

NEW



- | Dimensions: 70 mm x 90 mm x 70 mm (W x H x D)
- | Module with 2 axes of rotation (angular scale $\frac{1}{2}^\circ$)
- | Possibility of multidimensional alignment of clamping devices
- | 360° rotation range with adjustable stops

Item No.: Z2236039

MATCHING MODULES

- | Easy clamping plate S with rotating function
- | Multi-tower turntable
- | Multi-tower (several times in a row)
- | Easy adaption Qtool 40-60
- | Easy clamping plate M (via Multi-Tower Turntable)
- | Qtool 40 / 40 S / 60 (via Adaption)

SWIVEL UNIT QTOOL 40-60

NEW



- | Dimensions: 70 mm x 90 mm x 70 mm (W x H x D)
- | Possibility to swivel the Qtool 40 / Qtool 60
- | Swivel range $\pm 90^\circ$

Item No.: Z2236040

MATCHING MODULES

- | Easy clamping plate S with rotating function
- | Multi-Tower
- | Easy plate M (via Multi-Tower)
- | Qtool 40 / 60 (via Adaption)

Clamping accessories for rotating, swiveling and special applications

Swivel unit Qtool 60-80

NEW



- | Dimensions: 190 mm x 180 mm x 30 mm (W x H x D)
- | Possibility to swivel the Qtool 60 and 80 for diagonal cuts ($\pm 90^\circ$)
- | Resting points in 15° steps

Item No.: Z2236041

MATCHING MODULES

- | Qtool 80 / Qtool 80 VARIO
- | Qtool 60

Compatibility swivel unit Qtool 60-80



Compatible with cut-off machine

Qcut 250 A

Qcut 250 M

Qcut 350 A

Brillant 230

Swivel unit Qtool 60-80



Angle vice 60



- | Dimensions: ca. 195 mm x 80 mm x 165 mm (W x H x D)
- | Clamping range: 55 mm
- | Specimen diameter Ø 10-60 mm (with prism jaw)
- | Vertically centred, stainless steel (incl. 2x flat clamping jaws)
- | Rotation range: 270°
- | Fastening to the table with a groove width of 12 mm

Item No.: Z1304001

MATCHING MODULES

- | Clamping jaws prism

ACCESSORIES: CLAMPING JAW, PRISM



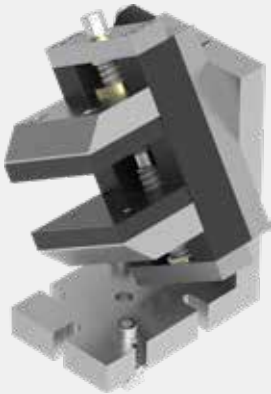
- | Jaw height: 40 mm
- | Jaw width: 80 mm

Item No.: 01304008

Compatibility angle vice 60

Compatible with cut-off machine	Qcut 250 A	Qcut 250 M	Qcut 350 A	Brillant 230	
Angle vice 60	✓	✓	✓	✓	
Compatible with cut-off machine	Brillant 255	Qcut 400 A	Qcut 500 A	Qcut 600 A/BOT	Qcut 800 A
Angle vice 60	✓	✓	✓	✓	✓

Angle vice 80



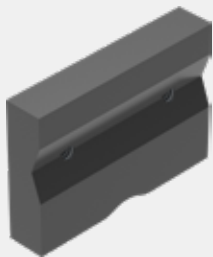
- | Dimensions: ca. 195 mm x 80 mm x 205 mm (W x H x D)
- | Clamping range: 70mm
- | Specimen diameter \varnothing 10-60 mm (with prism jaw)
- | vertically centred, stainless steel (incl. 2x flat clamping jaws)
- | Rotation range: 270°
- | Fastening to the table with a groove width of 12 mm

Item No.: Z1302000

MATCHING MODULES

- | Clamping jaws prism

ACCESSORIES: CLAMPING JAW, PRISM



- | Jaw height: 70 mm
- | Jaw width: 100 mm

Item No.: 01302016

Compatibility angle vice 80



Compatible with cut-off machine	Brilliant 255	Qcut 400 A	Qcut 500 A	Qcut 600 A/BOT	Qcut 800 A
Angle vice 80	✓	✓	✓	✓	✓

Cross clamp



Cross clamp 50/100

	Item No.	Max. sample cross-section	Max. sample diameter	Span	Groove width
Cross clamp 50/100	Z1340010	50x50 mm	Ø 60 mm	100 mm	12 mm
Cross clamp 80/100	Z1340000	80x50 mm	Ø 90 mm	100 mm	12 mm
Transverse clamp 80/150	Z1340001	80x50 mm	Ø 90 mm	150 mm	12 mm

Highlights

- Components with residual stresses tend to contract in the kerf and block the cut-off wheel when they are ripped open.
- For parallel clamping of round and rectangular workpieces, in particular for longitudinal sections in hardened materials
- Fast workpiece change thanks to eccentric clamping elements

Compatibility cross clamp



Compatible with cut-off machine	Qcut 250 A	Qcut 250 M	Qcut 350 A	Brillant 230	Brillant 255
Cross clamp 50/100	✓	✓	✓	✓	✓



Compatible with cut-off machine	Qcut 400 A	Qcut 500 A	Qcut 600 A/BOT	Qcut 800 A
Cross clamp 80/100	✓	✓	✓	✓
Transverse clamp 80/150	-	✓	✓	✓

Vertical clamp



Vertical clamp

- | For clamping delicate, thin parts
- | Easy-Clamping Plate M fully integrated
- | Incl. adjustable stop
- | Separated segment remains clamped after completion of the cutting process



Vertical clamp single

Item No.: Z2236009



Vertical clamp double

- | Possibility of making a double cut and thus cutting out a complete segment, e.g. from a ring

Item No.: Z2236010

Compatibility vertical clamp



Compatible with cut-off machine	Qcut 200 A	Qcut 250 A	Qcut 250 M	Qcut 350 A	Brillant 230
Vertical clamp	✓	✓	✓	✓	✓

Clamping system X-Clamp 3858



- | Individual and safe clamping of various smaller specimen shapes and sizes with spring suspended stainless steel plungers
- | Perfect form fit with minimal effort

Item No.: Z2234010

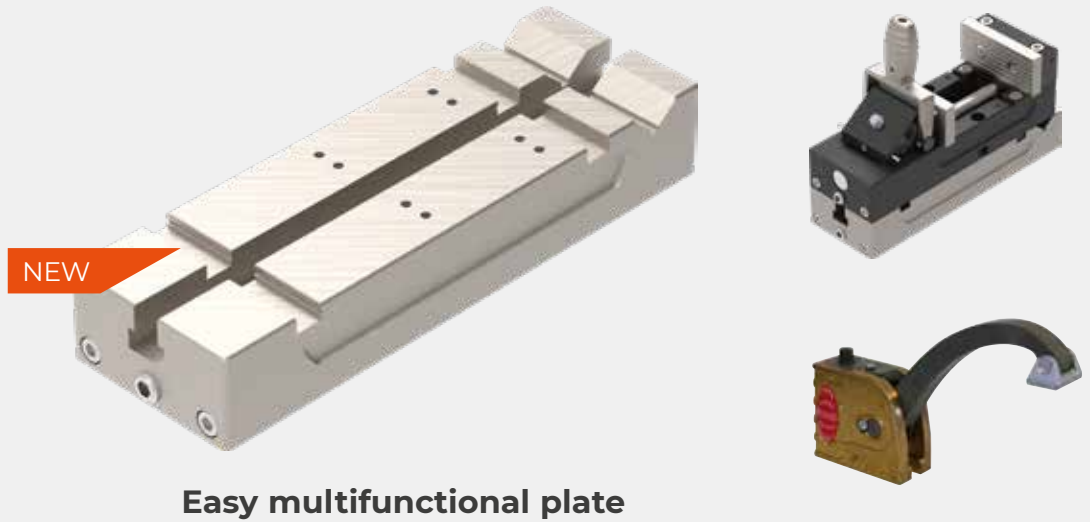


Compatibility Clamping system X-Clamp 3858



Compatible with cut-off machine	Qcut 200 A	Qcut 250 A	Qcut 250 M	Qcut 350 A	Brillant 230
Clamping system X-Clamp 3858	✓	✓	✓	✓	✓

Easy multifunctional plate



Easy multifunctional plate

	Item No.	Dimensions (W x H x D)
Easy multifunctional plate	Z2236036	ca. 250 mm x 80 mm x 40 mm

Highlights

- | Base to vary the height of Qtool 60 and 80
- | Base for universal clamps with integrated prism
- | Built-in easy function
- | Can be set up multiple times
- | Prism for round components Ø 6 - 37 mm)
- | Suitable for all Copal clamps with slot nuts 12 mm

Compatibility Easy multifunctional plate

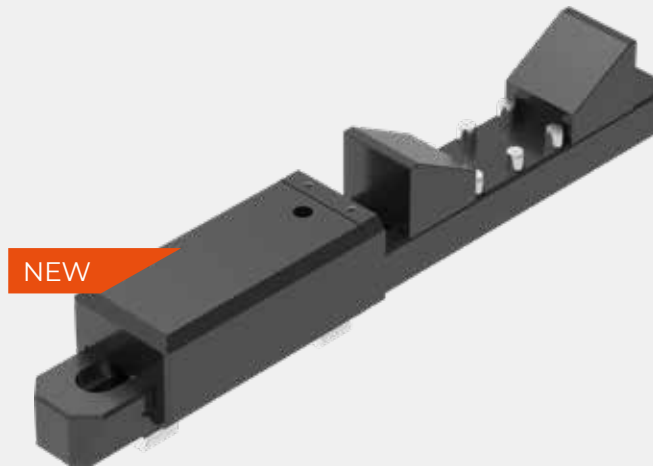


Compatible with cut-off machine	Qcut 200 A	Qcut 250 A	Qcut 250 M	Qcut 350 A	Brillant 230
Easy multifunctional plate	-	✓	-	✓	✓



Compatible with cut-off machine	Brillant 255	Qcut 400 A	Qcut 500 A	Qcut 600 A/BOT	Qcut 800 A
Easy multifunctional plate	✓	✓	✓	✓	✓

Clamping rail



Clamping rail

	Item No.	Sample diameter	Dimensions (W x H x L)
Clamping rail	Z1350025	Ø 20 - 250 mm	56 mm x 50 mm x 350 mm

Highlights

- I Basis for the universal tensioners Mono, Duo and chain tensioners
- I For clamping shafts, crankshafts and camshafts
- I Adjustable prism supports
- I 2 inclined supports for component sizes: Ø 20 – 250 mm included in the scope of delivery
- I Sliding carriage with universal clamp for quick set-up

Compatibility clamping rail

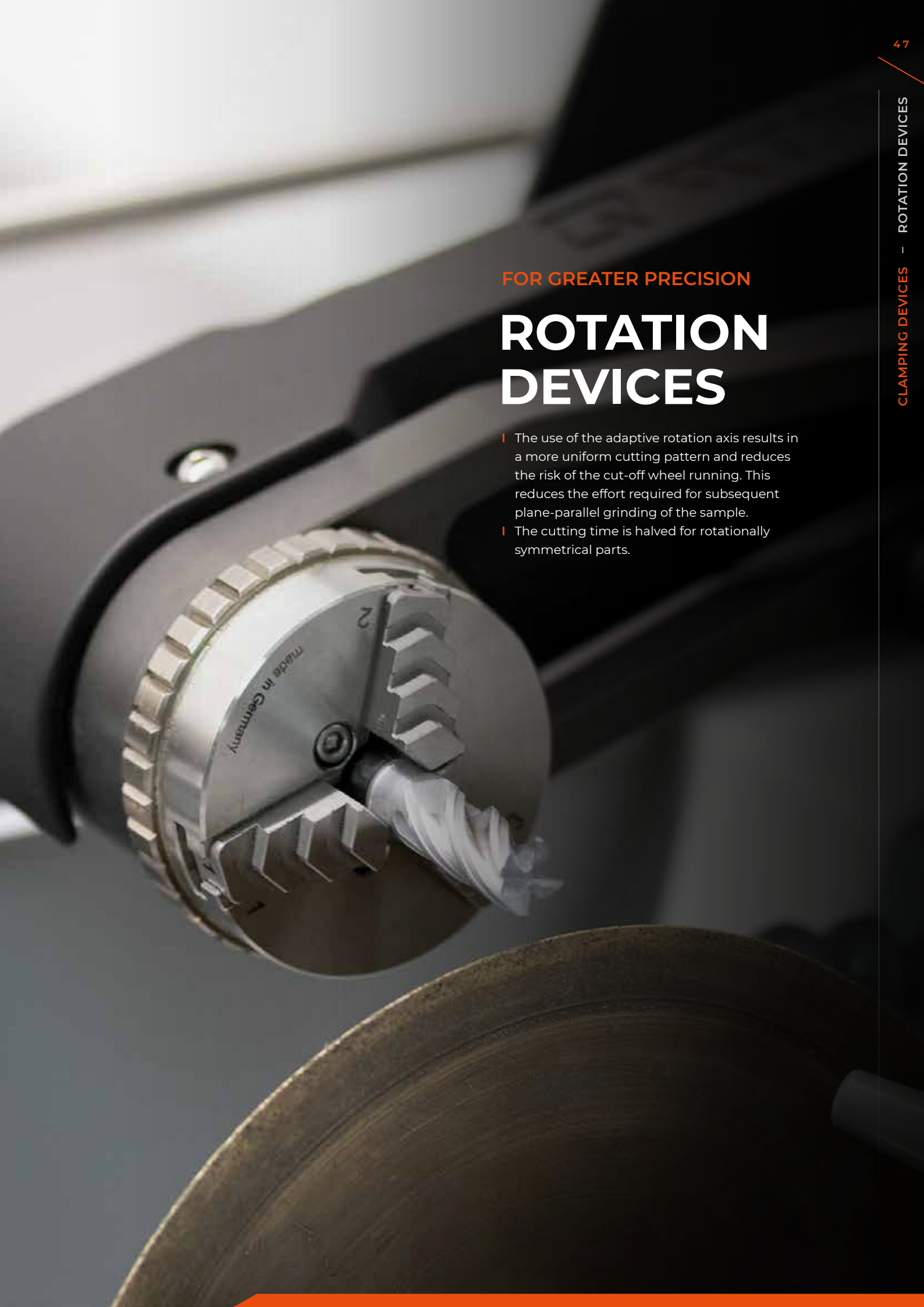


Compatible with cut-off machine	Qcut 350 A	Brillant 255	Qcut 400 A	Qcut 500 A	Qcut 600 A/BOT	Qcut 800 A
Clamping rail	✓	–	✓	✓	✓	✓

FOR GREATER PRECISION

ROTATION DEVICES

- | The use of the adaptive rotation axis results in a more uniform cutting pattern and reduces the risk of the cut-off wheel running. This reduces the effort required for subsequent plane-parallel grinding of the sample.
- | The cutting time is halved for rotationally symmetrical parts.



Rotation device type RD1



Rotation device type RD1

	Item No.	Clamping diameter
Rotation device type RD1	Z1870059	Ø 50 mm

Highlights

- | For Qcut 150 A (modularly adaptable)
- | Speed range: 5 – 30 rpm
- | Expandable with precision clamping device (holder Ø 50 mm)

Compatibility of rotation device type RD1



Compatible with cut-off machine	Qcut 150 A
Rotation device type RD1	✓

Accessories

- | See clamping devices precision series

Rotation device type RD2



Rotation device type RD2

	Item No.	Clamping diameter
Rotation device type RD2	Z1891001	Ø 50 mm

Highlights

- | For Qcut 200 A (modularly adaptable)
- | Rotation and oscillating oscillation possible
- | Speed range: 3.5 – 22 rpm
- | Expandable with precision clamping device (holder Ø 50 mm)

Compatibility of rotation device type RD2



Compatible with cut-off machine	Qcut 200 A
Rotation device type RD2	✓

Accessories

- | See clamping devices precision series

Universal vices



Piccolo 54



Piccolo 100



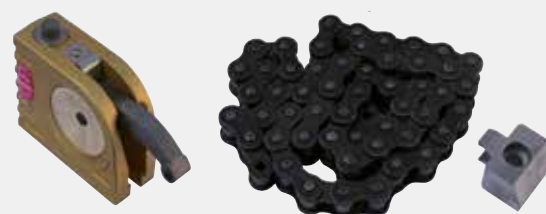
Mono 61



Mono 132



Duo vice



Chain clamping vice

	Item No.	Arm unloading	Clamping height	Clamping force	Fastening screw	T-slot brick screw
Piccolo 54	Z1350008	54 mm	15 - 58 mm	6.5 kN	M8 x 25	M8 x 12
Piccolo 100	Z1350012	100 mm	40 - 90 mm	4.2 kN	M8 x 25	M8 x 12
Mono 61	Z1350002	61 mm	8 - 102 mm	12 kN	M10 x 32	M10 x 12
Mono 132	Z1350011	132 mm	43 - 155 mm	8 kN	M10 x 32	M10 x 12
Duo vice	Z1350005*	46-91 mm	4 - 142 mm	11 kN	M10 x 32	M10 x 12
Chain clamping vice	Z1350006**	Chain length: 1 m	-	16 kN	M10 x 32/25	M10 x 12

Highlights

| Delivery incl. tension wrench

*Universal vice duo

- | For clamping and lifting
- | Lifting height: 4 - 142 mm
- | With 2 interchangeable clamping arms

**Chain clamping vice

- | For clamping large components
- | Incl. 1x universal tensioner duo and hook block for chain

Accessories for universal vices

Accessories with which the universal clamping devices can be individually adapted to the respective components.

CASE SET UNIVERSAL CLAMP MONO 61



- | 2x Universal Clamp Mono 61
 - | 2x Height pedestal Mono
 - | 1x Extension Arm
 - | 3x Tension Shoe Standard
 - | 1x clamping shoe transverse bridge, longitudinal bridge, transverse prism, longitudinal prism
 - | 4x T-slot nut stainless M 10 x 12
 - | 4x fastening screws M 10 x 32 | incl. tension wrench
- Item No.: Z1350004

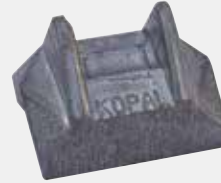
LONGITUDINAL V-SHOE (PRISM)



- | For all universal clamps
- | For clamping cylindrical components

Item No.: 92005796

TRAVERSE V-SHOE (PRISM)



- | For all universal clamps
- | For clamping cylindrical components

Item No.: 92005797

LONGITUDINAL BRIDGE



- | For all universal clamps
- | For clamping larger components

Item No.: 92005799

TRAVERSE BRIDGE



- | For all universal clamps
- | For clamping larger components

Item No.: 92005800

STANDARD CLAMPING SHOE



- | For all universal clamps and applications

Item No.: 92005798

FIXING SCREW



For all universal clamps Piccolo

M6 x 25
Item No.: Z1304591

For all universal clamps Piccolo

M8 x 25
Item No.: 95003169

For all universal clamps Piccolo

M10 x 25
Item No.: 95003170

For Universal Tensioner Mono, Duo, Chain Tensioner

M10 x 32
Item No.: 95003168

T-SLOT NUT STAINLESS*



*all other sizes of slot nuts on request

M6 x 8
Item No.: 91001157

M8 x 10
Item No.: 91001161

M8 x 12
Item No.: 91001159

M10 x 12
Item No.: 91001158

HEIGHT ADAPTER PICCOLO



Height: 60 mm
Mounting screw: M8 x 25
T-slot nut (stainless): M8 x 12

Item No.: Z1350007

HEIGHT ADAPTER MONO



Height: 74 mm
Mounting screw: M10 x 32
T-slot nut (stainless): M10 x 12

Item No.: Z1350003

CLAMPING ARM EXTENSION



For Piccolo 54 and Mono 61
Mounting screw: M10 x 32
T-slot nut (stainless): M10 x 12

Item No.: 95003172

PAIR OF PRISMS



90° prism
For Ø 5-50 mm components
Dimensions (WxD): 50 x 150 mm

Item No.: 92005805



ENABLING PROGRESS.

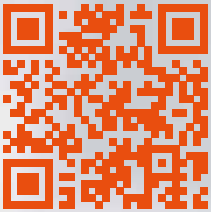
HEAT TREATMENT
ELEMENTAL ANALYSIS
MATERIALOGRAPHY & HARDNESS TESTING
MILLING & SIEVING
PARTICLE CHARACTERIZATION
PHARMACEUTICAL TESTING

Under the roof of VERDER SCIENTIFIC we support thousands of customers worldwide in realizing the ambition we share. As their technology partner behind the scenes, we deliver the solutions they need to make progress and to improve the everyday lives of countless people. Together, we make the world a healthier, safer and more sustainable place.

Sign up for our newsletters!

You will occasionally receive exclusive information on seminars/webinars, applications and product news.

Subscribe now:



www.qatm.com/newsletter
(You may unsubscribe any time)

